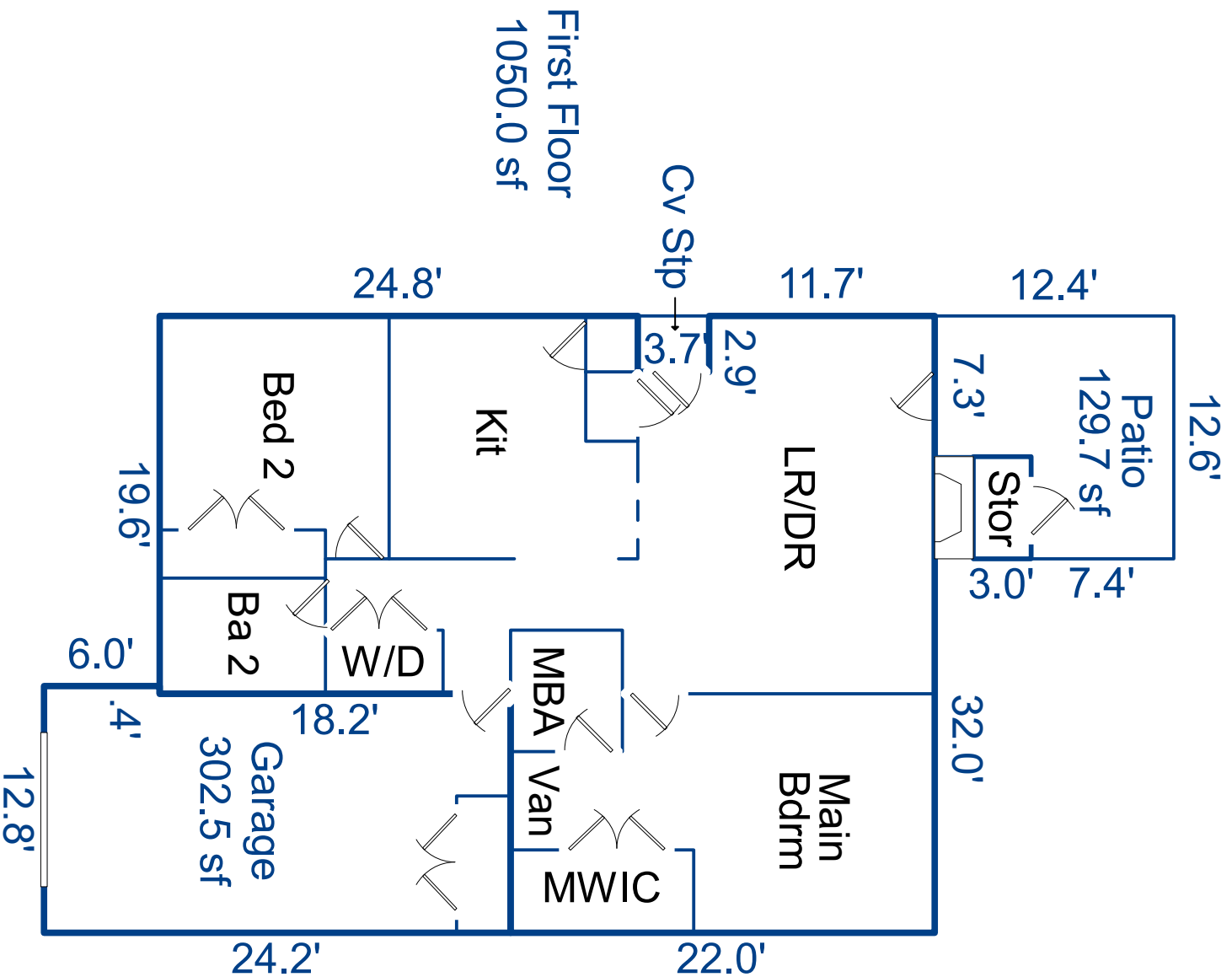


### Building Sketch

Borrower			
Property Address	4302 Pin Oak Dr.		
City	Durham	County	
Lender/Client		State	NC
		Zip Code	27707



Sketch by Apex Sketch

AREA CALCULATIONS SUMMARY				AREA CALCULATIONS BREAKDOWN			
Code	Description	Factor	Net Size	Perimeter	Net Totals	Name	Base x Height x Width = Area
GLA1	First Floor	1.0	1050.0	150.2	1050.0	First Floor	24.8 x 19.6 = 486.1
GAR	Garage	1.0	302.5	74.0	302.5		16.7 x 15.4 = 257.2
OTH	Storage	1.0	15.9	16.6	15.9		22.0 x 12.4 = 272.8
P/P	Patio	1.0	129.7	50.0	140.5		11.7 x 2.9 = 33.9
	Cv Stp	1.0	10.7	13.2			
			<b>Net LIVABLE</b>	(rounded)	<b>1,050</b>	4 total Items	(rounded) <b>1,050</b>

© Starcap Marketing, LLC, dba Apex Software